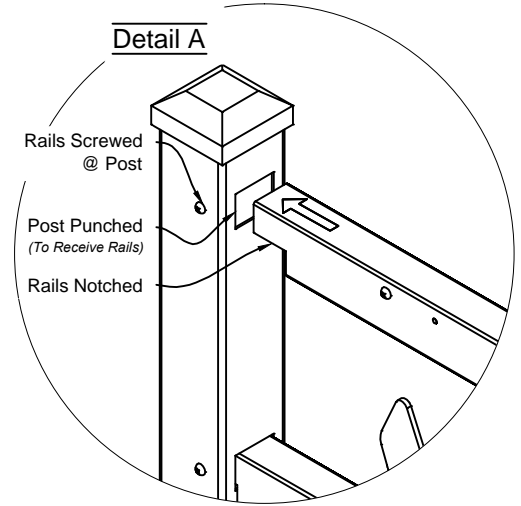


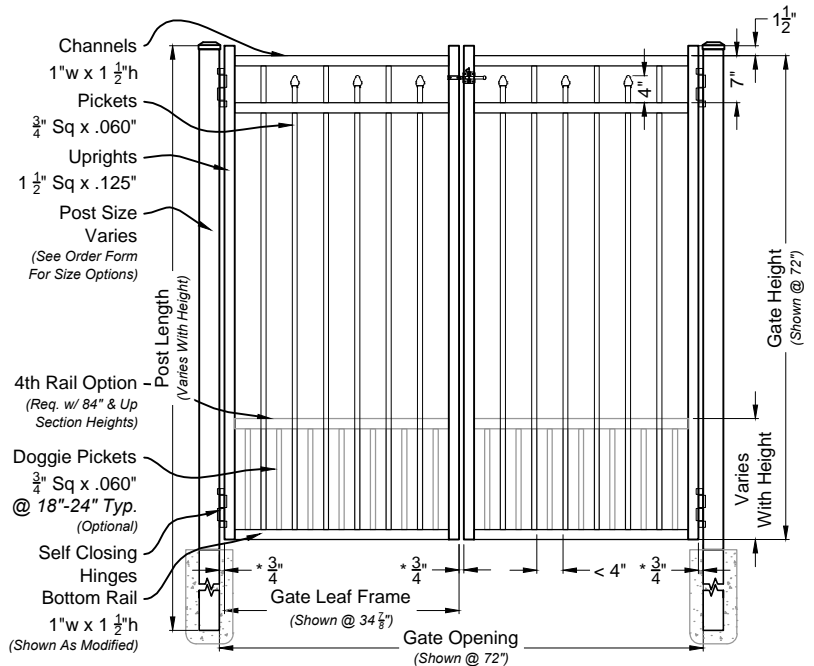
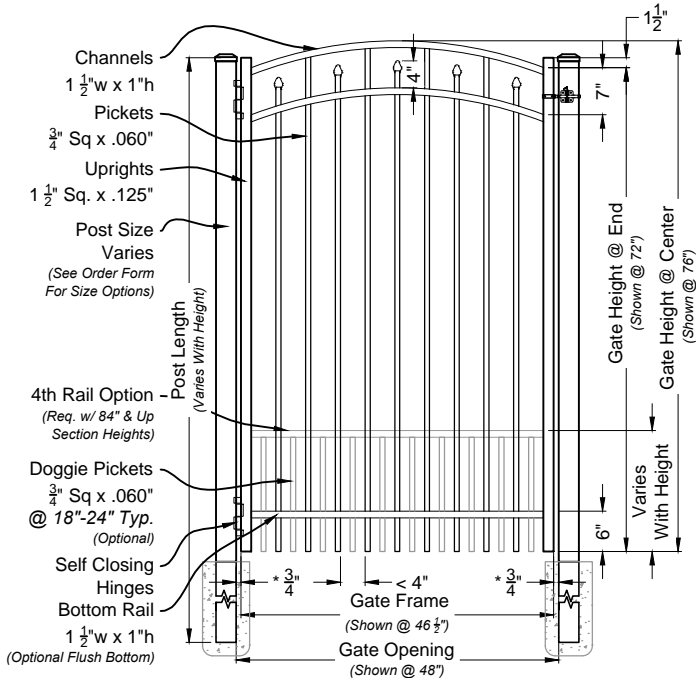
Rings  
**Not Available**

Butterfly Scrolls  
**Not Available**



**i**  
 01 **Floridian #303 6ft Fence Panel**  
 Shown As Commercial Series Scale: NTS

**Matching Gate Options**



**i**  
 02 **Floridian Single Walk Gate**  
 #3033 Arched Rail Option Scale: NTS

**i**  
 03 **Floridian Double Walk Gate**  
 #6303M Straight Rail Option Scale: NTS

**Floridian Fence & Gate**  
 Commercial Series #303



**DRAWING NOTES:**

Don't Scale From Drawings.  
 Please See Our Fence & Gate Style Sheet For Other Options.

\*Other Optional Gate Hardware Available, But May Change The Hinge And Latch Clearances.

Com 303 Series  
 Fence & Gate  
 Details

Approved By: iDeal Aluminum Quote #:   
 Drawn By: JMixon Drawn Date: 26-Nov-13

2000 Brunswick Lane Phone: 386.736.1700  
 Deland, FL 32724 Fax: 386.822.4956