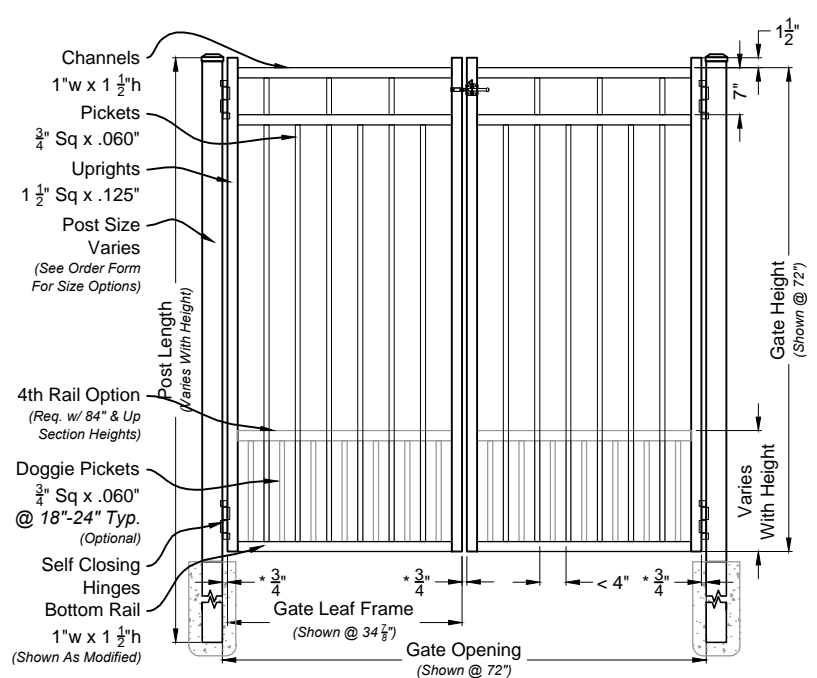
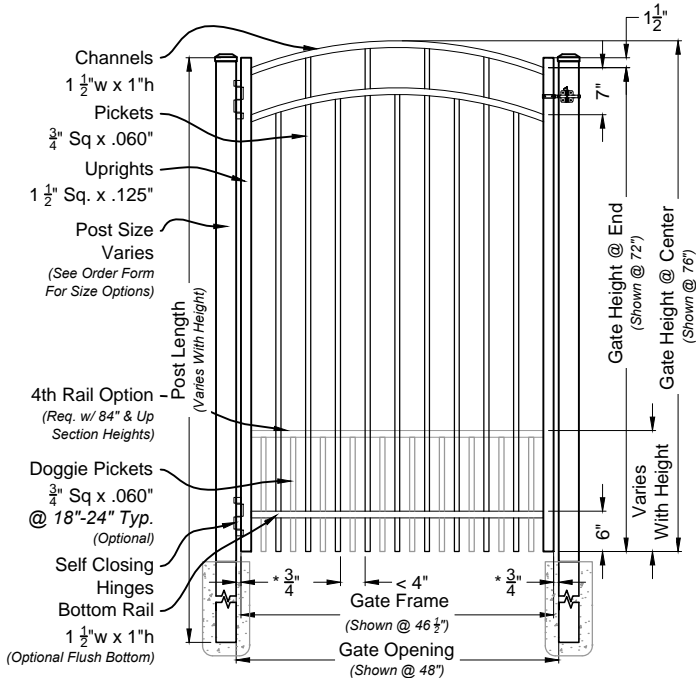


i
01 **Carolina #403 6ft Fence Panel**
Shown As Commercial Series Scale: NTS

Matching Gate Options



i
02 **Carolina Single Walk Gate**
#4033 Arched Rail Option Scale: NTS

i
03 **Carolina Double Walk Gate**
#6403M Straight Rail Option Scale: NTS

Carolina Fence & Gate
Commercial Series #403



DRAWING NOTES:

Don't Scale From Drawings.
Please See Our Fence & Gate Style Sheet For Other Options.

*Other Optional Gate Hardware Available, But May Change The Hinge And Latch Clearances.

Com 403 Series
Fence & Gate
Details

Approved By: iDeal Aluminum Quote #:
Drawn By: JMixon Drawn Date: 26-Nov-13

2000 Brunswick Lane Phone: 386.736.1700
Deland, FL 32724 Fax: 386.822.4956