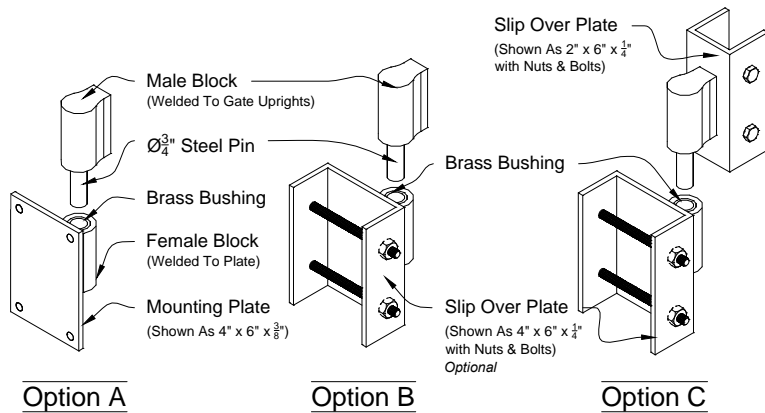
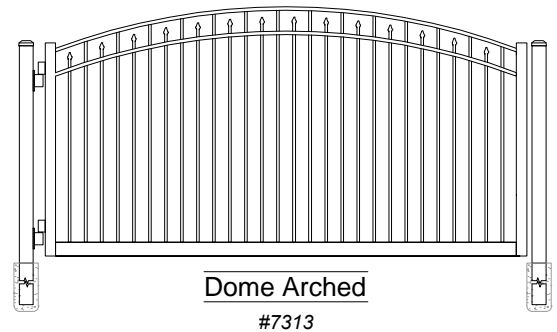
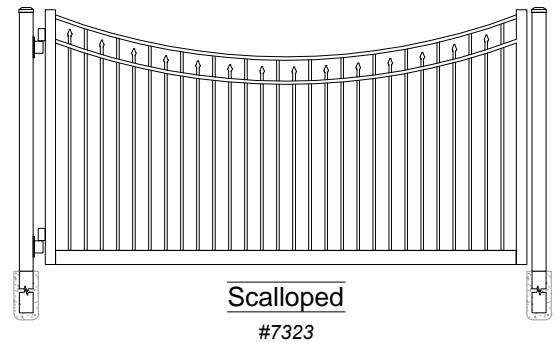
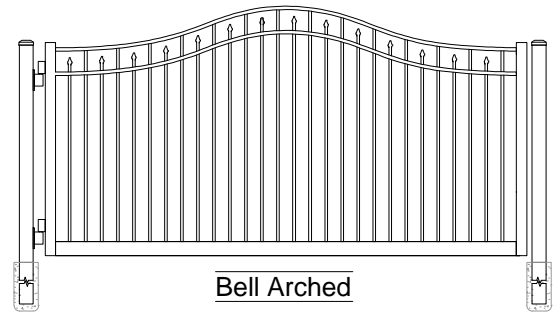


01 **Floridian #7303 Single Swing Gate**
 Shown As Standard (Commercial Series) Scale: NTS



02 **iDeal Barrel Hinge**
 Custom To Fit Any Post Size Scale: NTS



Floridian Single Swing Estate Gate
Commercial



DRAWING NOTES:
 Don't Scale Drawings
 Please See Our Estate Gate Style Sheet For
 Other Options

Floridian Series
 Single Swing
 Estate Gates

Approved By: iDeal Aluminum Quote #: _____
 Drawn By: JMixon Drawn Date: 25-Sep-17

3200 Parker Drive Phone: 386.736.1700
 St Augustine, FL 32084 Fax: 386.822.4956