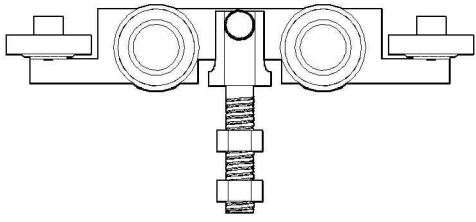
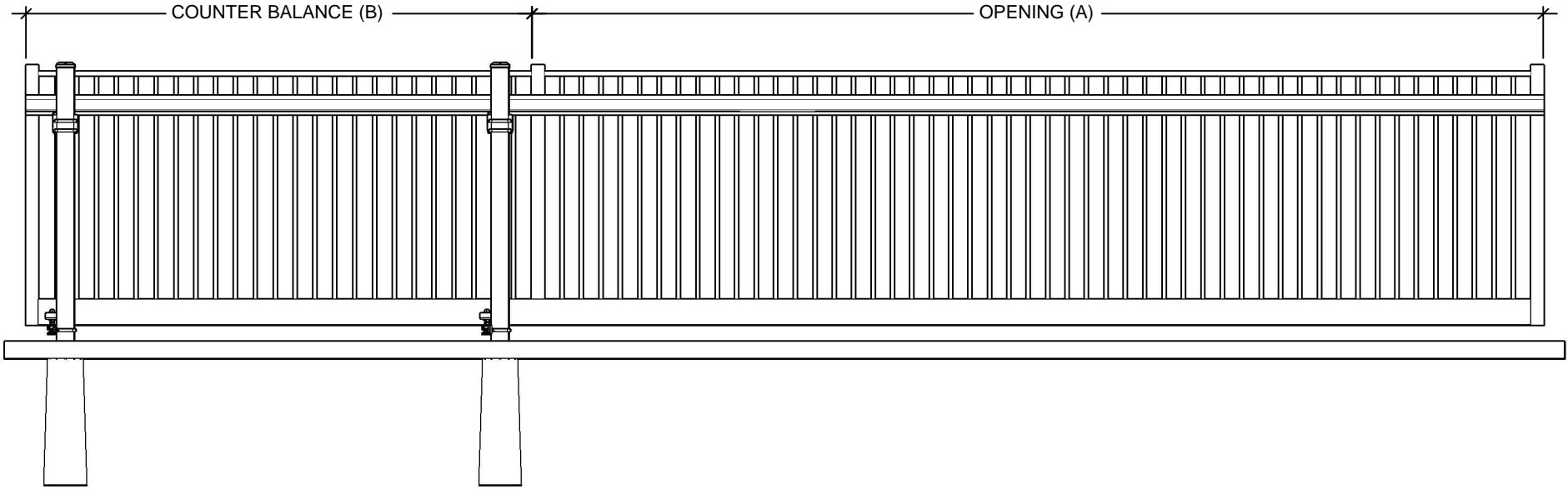


Top Track Cantilever
Installation Guide

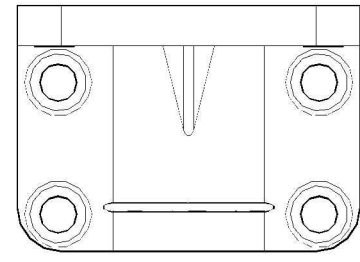
iDeal

aluminum

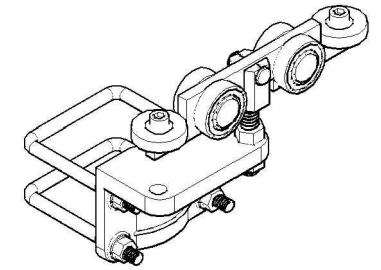
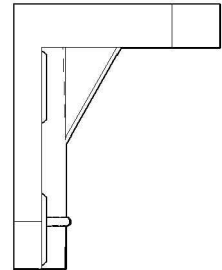




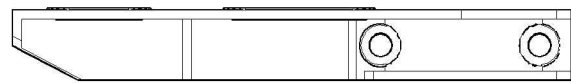
TRUCK



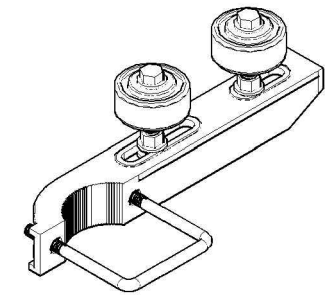
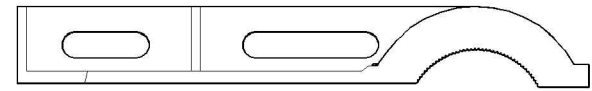
BRACKET



TRUCK ASSEMBLY



ROLL GUIDE BRACKET



ROLL GUIDE ASSEMBLY

Setting Support Posts

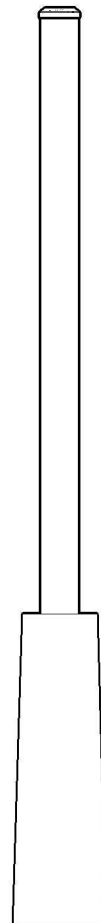
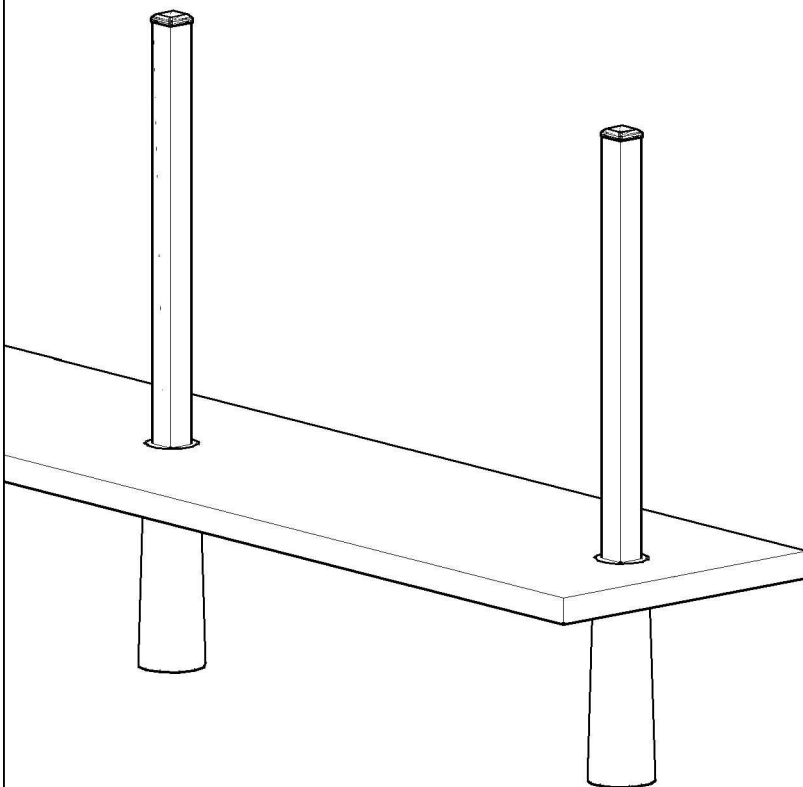
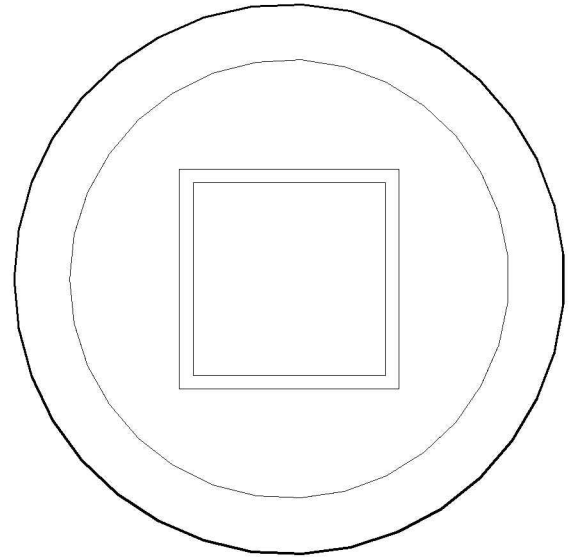
Setting of the support posts is critical to the alignment and height of gate. Prior to setting posts take note of environment, elevation changes and any obstacles that must be avoided in area where gate is located. Spacing of support post will be determined by the length of the counter balance (B) on your gate. It is recommended that you measure the counter balance of your gate first.

The **front support post** should be set 9in. from the opening, to the center of support post.

The **rear support post** should be set 9in. from the rear of gate (closed position) to center of support post. The objective is to have both posts within the counter balance and as far apart as possible. when properly installed, the support posts should be 18in.

(center line dim.) less than the length of counter balance.

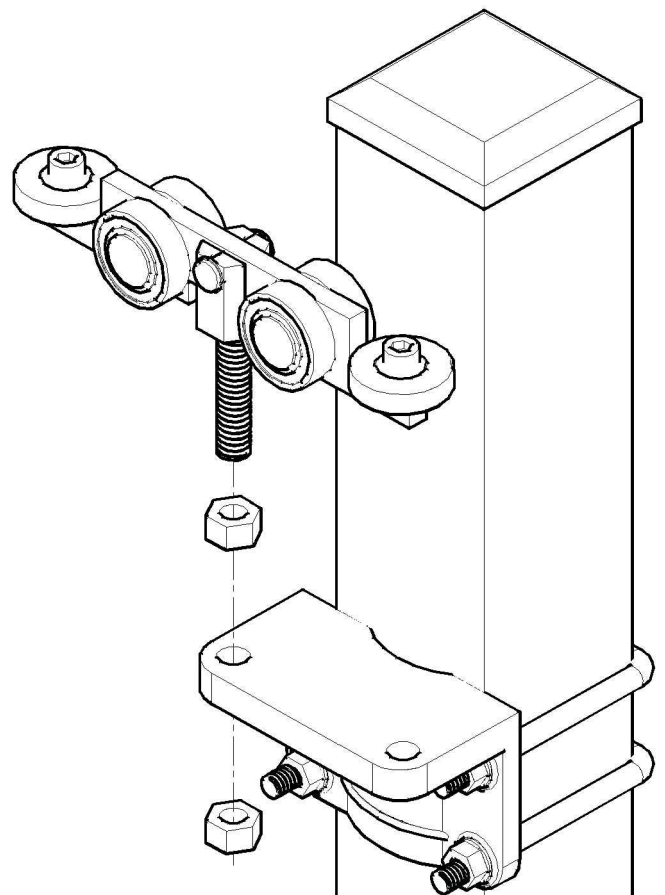
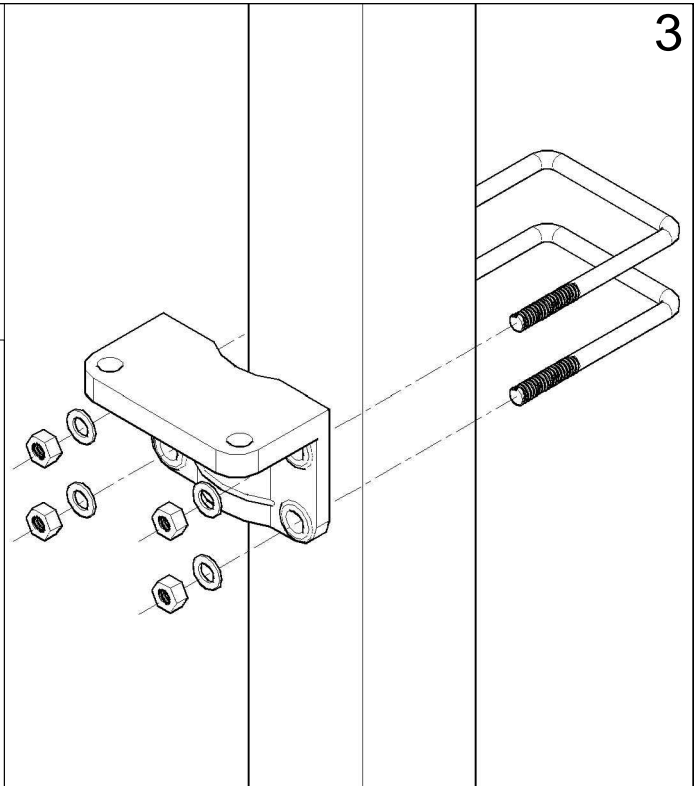
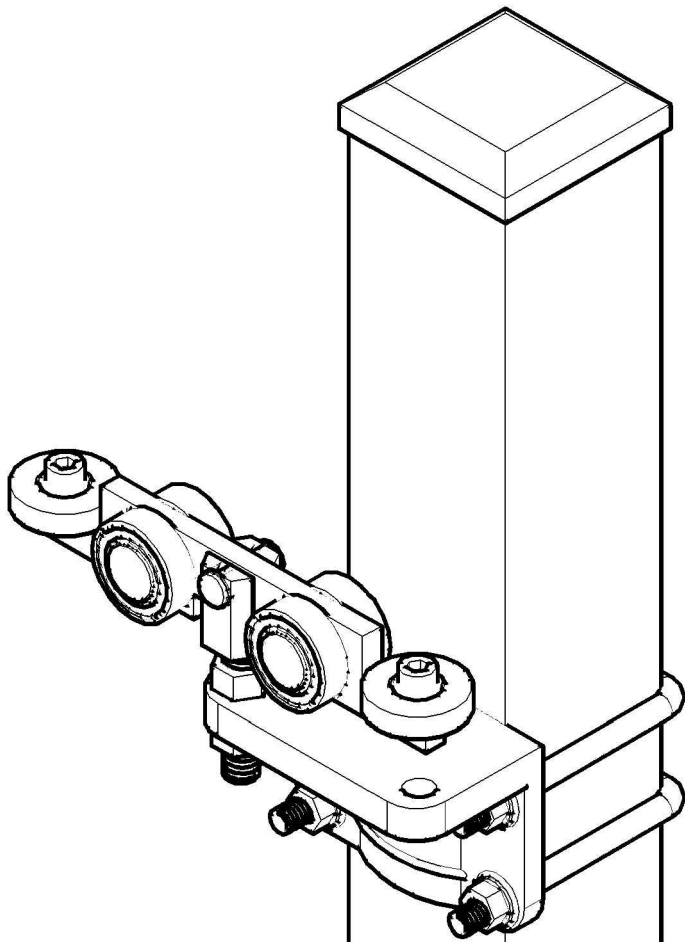
To set support posts dig footer holes appropriately to accommodate support post. Will vary depending on location. Footer holes should be "bell shaped" (wider bottom).



Install Truck Assembly

After concrete has hardened, attach brackets and trucks to support post at desired height (according to ground elevations). Be certain the height adjustment nuts are tight on truck assembly. Truck assembly will allow approximately 1½" of vertical adjustment. Your gate is now ready to slide into place.

3



Setting Guide Rollers:

Be sure your gate is "plumb" and install your roller guide assembly and rollers. Position rollers to guide horizontal gate rails. Use a $\frac{1}{16}$ " gap between your gate and rollers. Do not press rollers tightly against gate, this will cause the gate operation to be "stiff".

Make final adjustments to the truck assembly adjustment bolts, if necessary. To level gate or adjust overall height.

