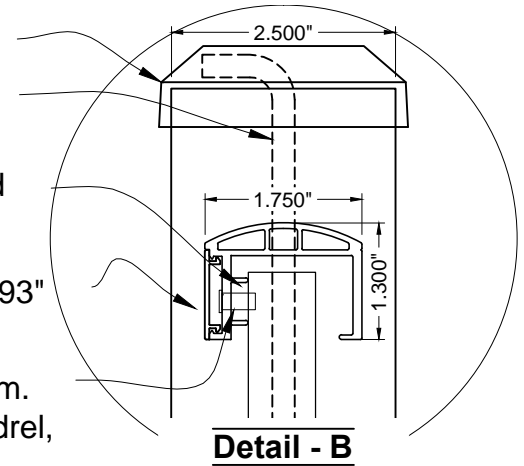
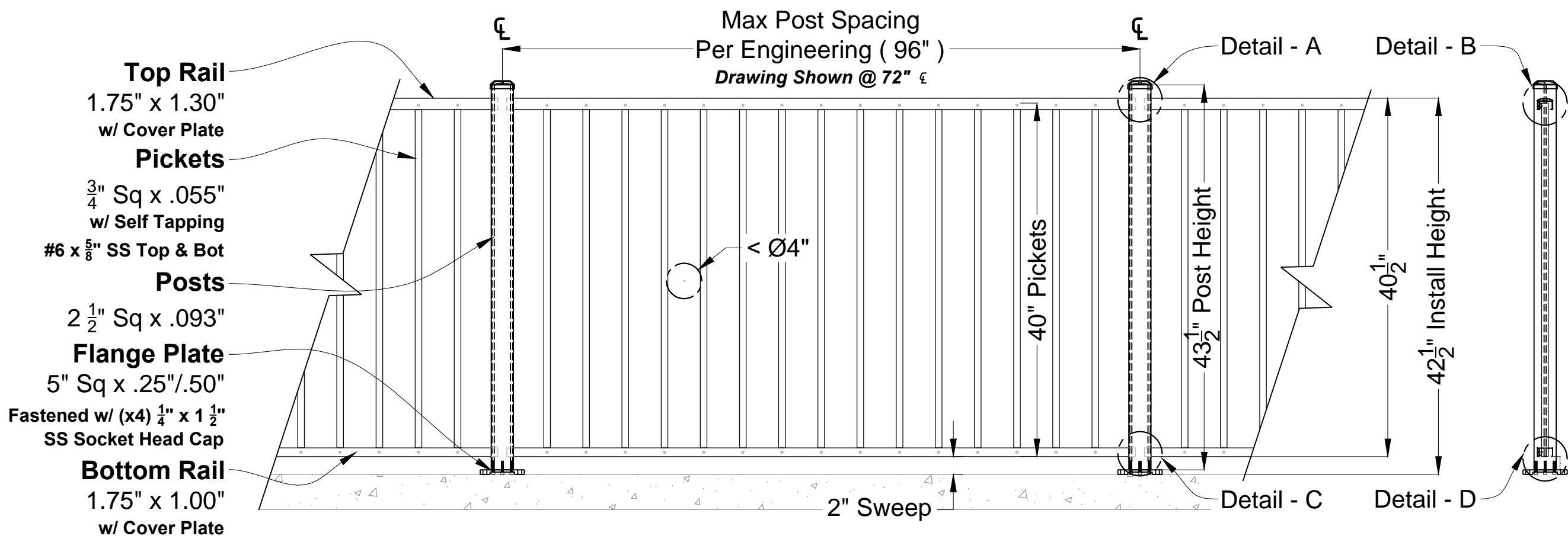
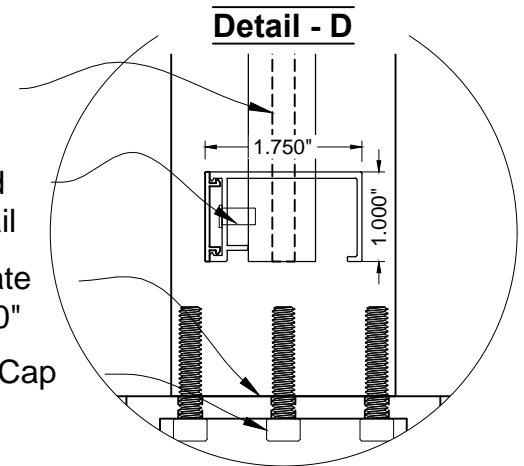


Post Cap
Drop Rod
Ø.22" ±
Post Punched For Top Rail
Post 2 1/2" Sq x .093"



Section Elevation View

Ø 3/16" X.25-.37 Alum. Rivet w/ Steel Mandrel, Dome Head
Drop Rod
Ø.22" ±
Post Punched For Bottom Rail
Post Flange Plate
5" Sq x .25"/.50"
SS Socket Head Cap
(x4) 1/4" x 1 1/2"



DRAWING NOTES:

DO NOT SCALE DRAWINGS.
FOR DIMENSIONS NOT SHOWN
CONTACT MANUFACTURER FOR
CLARIFICATION

iDeal
aluminum fence gates railing

aluminum fence gates railing

3200 Parker Drive Phone: 386.736.1700
St. Augustine, FL 32084 Fax: 386.822.4956

Product Library\Railing\Mechanical Railing\Rail\Detail_Specs Sheets\New iDealRail_CAD Detail.dwg

iDeal Mechanical Railing System

Order # _____
Drawn By: JMixon
Quote # _____
Drawn Date: 29-Aug-17

NOTICE:
All drawings, specifications and copies thereof are instruments of service only and are not to be used for any other project without written permission from IDEAL ALUMINUM PRODUCTS. All rights reserved. This design is protected by federal copyright laws.

COPYRIGHT 2013
Ideal Aluminum Products