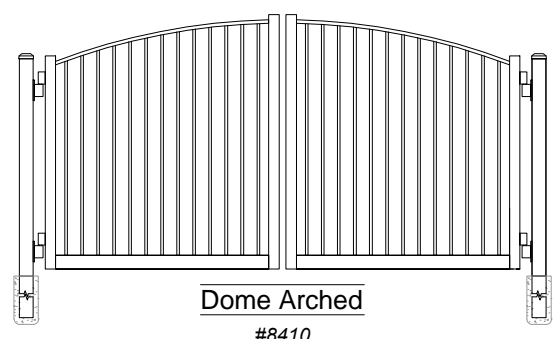
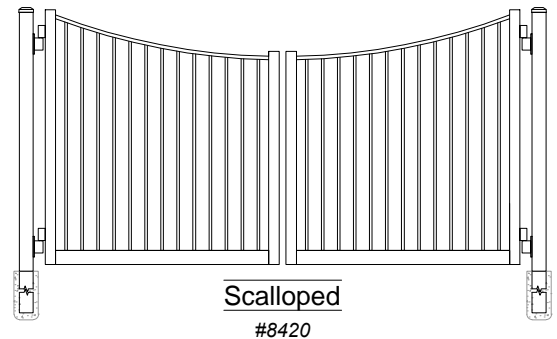
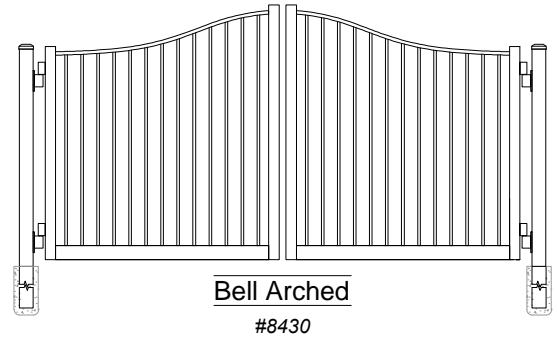
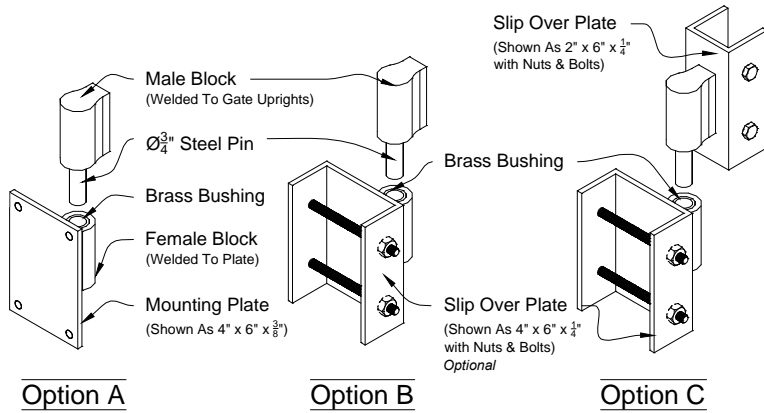
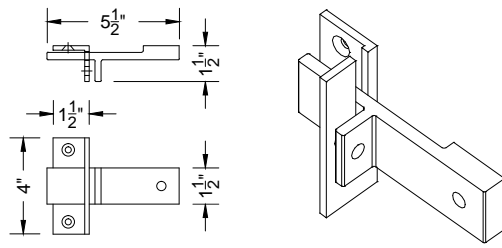


**01** **Alamo #8400 Double Swing Gate**  
 Shown As Standard (Commercial Series) Scale: NTS



**02** **iDeal Barrel Hinge**  
 Custom To Fit Any Post Size Scale: NTS



**03** **iDeal Double Drive Latch**  
 Fits 3/4\"/>

**Alamo Double Swing Estate Gate**  
 Commercial



**DRAWING NOTES:**  
 Don't Scale Drawings  
 Please See Our Estate Gate Style Sheet For  
 Other Options

Alamo Series  
 Double Swing  
 Estate Gates

Approved By: iDeal Aluminum Quote #: \_\_\_\_\_  
 Drawn By: JMixon Drawn Date: 15-Feb-17

3200 Parker Drive Phone: 386.736.1700  
 St. Augustine, FL 32084 Fax: 386.822.4956