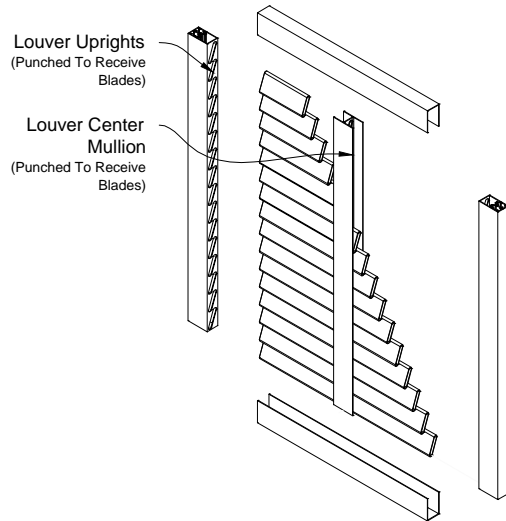
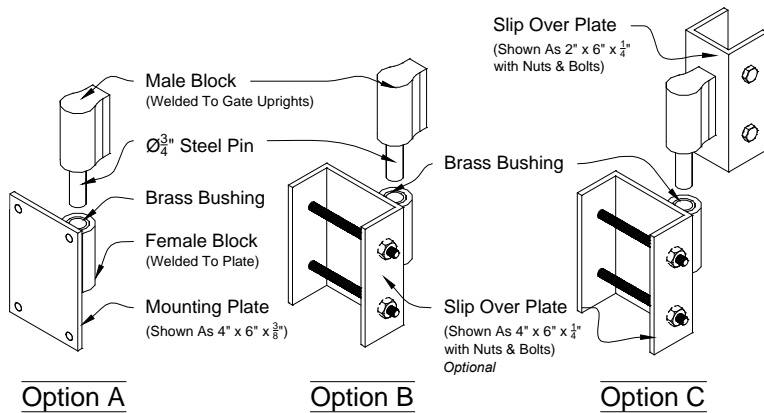
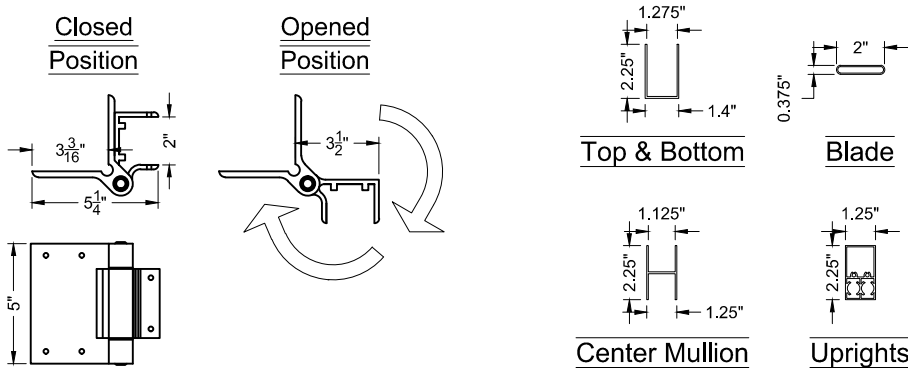


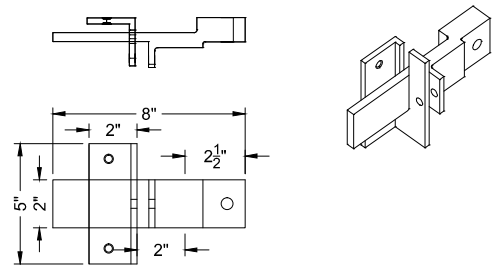
**01 Louver Double Swing Gate**  
Shown As Decorative Scale: NTS



**02 iDeal Barrel Hinge**  
Custom To Fix Any Post Size Scale: NTS



**03 Typ Assembly**  
3D View Scale: NTS



**04 iDeal 180° Hinge**  
Fits 4" Sq & Up Post Scale: NTS

**05 Louver Material Specs** Scale: NTS

**06 iDeal Double Drive Latch**  
Min 2" Gap Required Scale: NTS

**Louver Double Swing Estate Gate**  
Louver Series



**DRAWING NOTES:**  
Don't Scale Drawings  
Please See Our Estate Gate Style Sheet For Other Options

Louver Double Swing Estate Gates

Approved By: iDeal Aluminum      Quote #: \_\_\_\_\_  
Drawn By: JMixon      Drawn Date: 26-Nov-13

2000 Brunswick Lane      Phone: 386.736.1700  
Deland, FL 32724      Fax: 386.822.4956