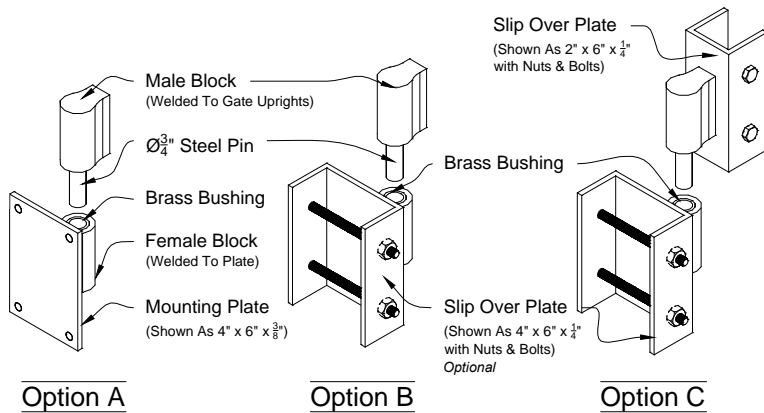
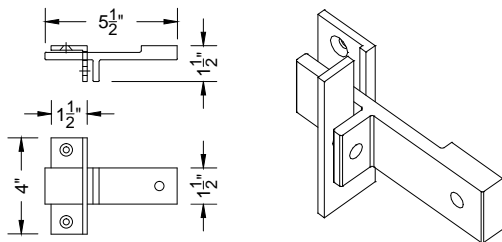


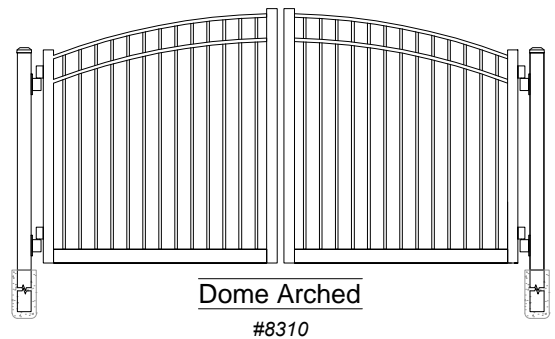
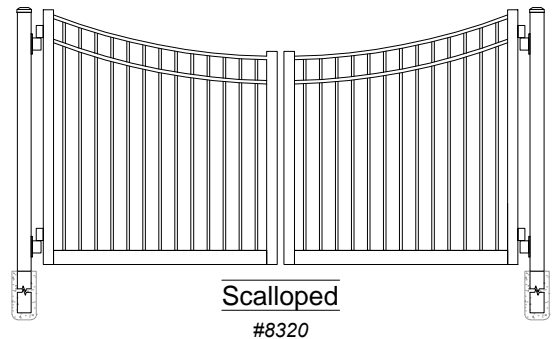
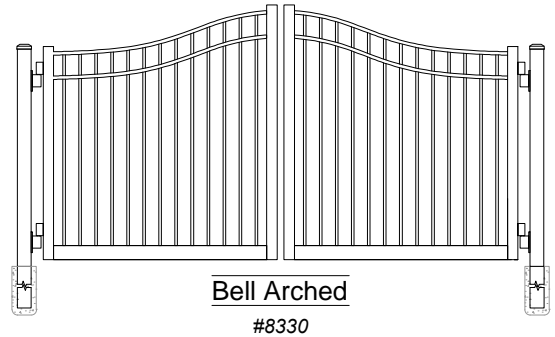
01 Long Islander #8300 Double Swing Gate
Shown As Standard (Commercial Series) Scale: NTS



02 iDeal Barrel Hinge
Custom To Fit Any Post Size Scale: NTS



03 iDeal Double Drive Latch
Fits 3/4" to 2" Gap Scale: NTS



Long Islander Double Swing Estate Gate
Commercial



DRAWING NOTES:
Don't Scale Drawings
Please See Our Estate Gate Style Sheet For
Other Options

Long Islander
Series Double
Swing Estate
Gates

Approved By: iDeal Aluminum Quote #:
Drawn By: JMixon Drawn Date: 16-Feb-17

3200 Parker Drive Phone: 386.736.1700
St. Augustine, FL 32084 Fax: 386.822.4956